

Secto Design Oy  
Kauppalaantie 12  
02700 Kauniainen  
Finland  
tel. +358 9 5050598  
fax +358 9 5475 2535  
info@sectodesign.fi  
www.sectodesign.fi

Secto Design



### **Owalo 7030 wall lamp**

natural birch, black laminate or white laminate, walnut veneer

- The shade is made of form pressed birch slats
- White and black finishes have been laminated
- Walnut finish has a waxed walnut veneer on top
- Height 47 cm, depth 33 cm, width 7 cm and base diameter 12 cm, weight 1,5 kg
- The switch is on the cable, colour of the cable is white. Also available with direct wall mount
- Standard cable length is 250 cm
- Light source (included): LED, 5,7 W, 2800 K, 100-240 V, min. 600 lm, non-dimmable
- International Protection Rating: IP20
- Dimension of the transport box: 56 x 40 x 16 cm, 2,5 kg

# SECTO DESIGN

**OWALO**  
**7030**  
WALL LAMP

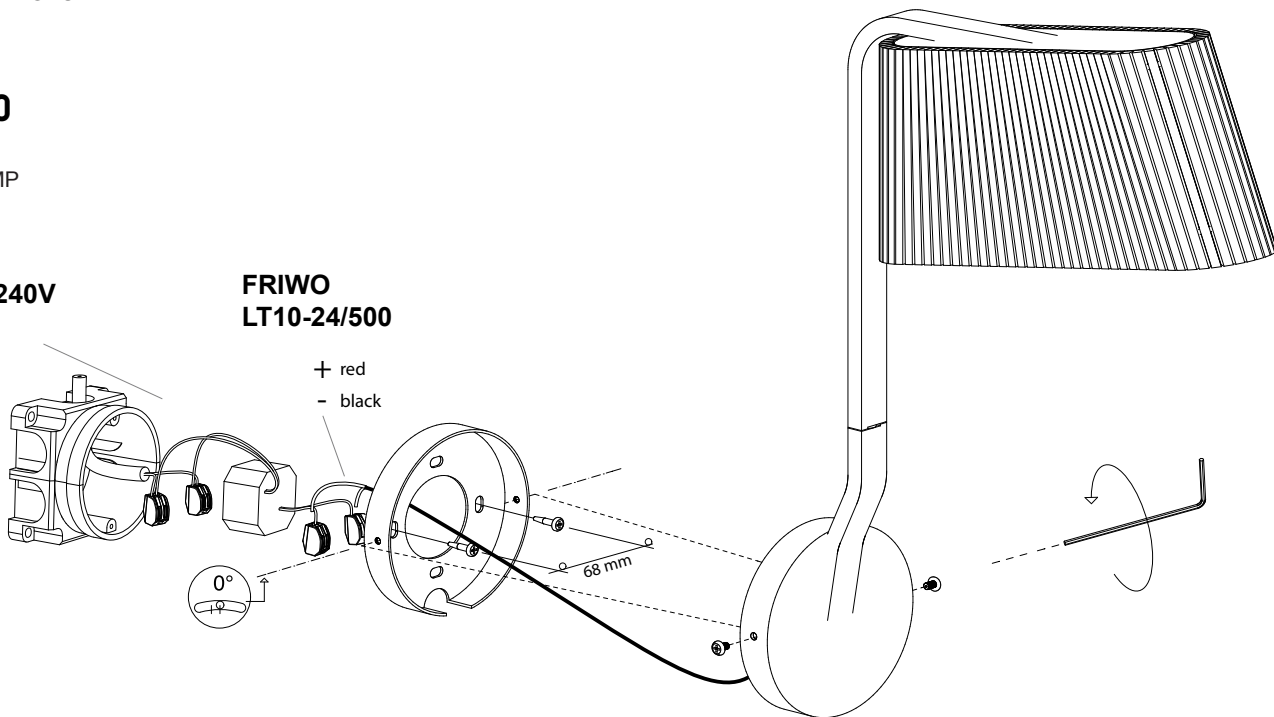
**PRI 200-240V**

**N** blue

**L** brown

**FRIWO**  
**LT10-24/500**

+ red  
- black



220- 240V	CE
19V 7W	



RoHS  
WEEE

## INDOOR USE ONLY

Install in accordance with national and local electrical codes.  
All installation works must be performed with specialized personnel.

**MADE IN FINLAND**

**WWW.SECTODESIGN.FI**

# SECTO DESIGN OWALO 7030



This luminaire contains built-in LED lamps.

A<sup>++</sup>

A<sup>+</sup>

A

~~B~~

~~C~~

~~D~~

~~E~~

} LED

The LED lamps cant be changed in the luminaire.



874/2012