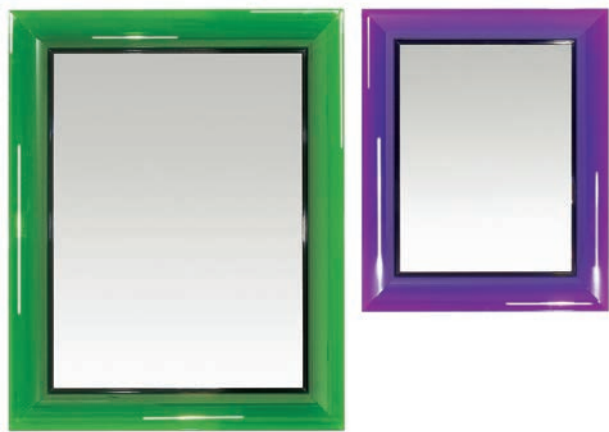


François Ghost





Philippe Starck 2005



A series of rectangular two-dimensional wall mirrors which bring to mind the milled crystal frames. The frames are made of transparent or coloured polycarbonate with seagull wing sections and can be hung horizontally or vertically. Designed for transparency or coloured transparency, they borrow from the colours of Murano glass to create a striking effect of depth and richness. The François Ghost mirrors also come in elegant mat coloured and black and white versions.

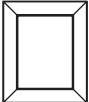
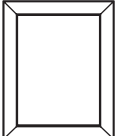
8300 / 8310

Transparent

B4/crystal	
V3/bottle green	
V4/purple	
V5/red	

Mat

E5/white	
E6/black	

		width	height	depth	weight kg.
8300		65	79	5,7	5,700
8310		88	111	8,5	11,700

Material

Transparent or batch-dyed polycarbonate

packaging	quantity	weight kg.	volume m ³
8300	1	8,200	0,091
8310	1	16,500	0,160