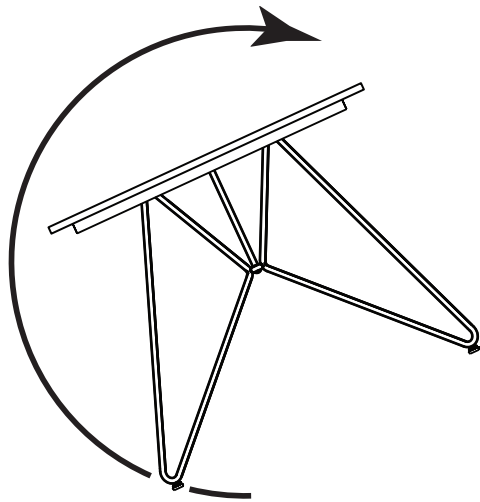
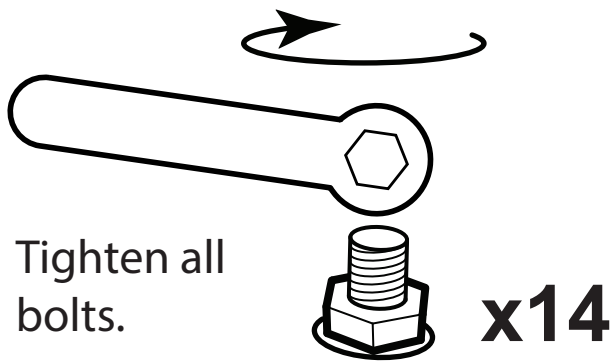


3



! It takes two persons to flip the table around, to avoid any damages

2 persons



The bamboo lamellas on your table are treated with a special impregnation from the factory. To keep the table nice it is necessary to treat the bamboo lamellas on a regular basis with oil suitable for bamboo. We recommend you to oil the table before taking it into use, and again after approx. 4 weeks, then as needed (3 – 4 times a year)

Fungi can attack all wooden furniture that is placed outside. Once fungi have attacked the bamboo it is possible to clean it by sanding the bamboo down with sandpaper and oil it again.

It is very important that you do not oil the bamboo if there is the slightest sign of infestation of fungi. Oiling at this stage will worsen the problem.

We recommend oil suitable for outdoor bamboo furniture containing fungicide. Fungicide is an anti-fungal agent.

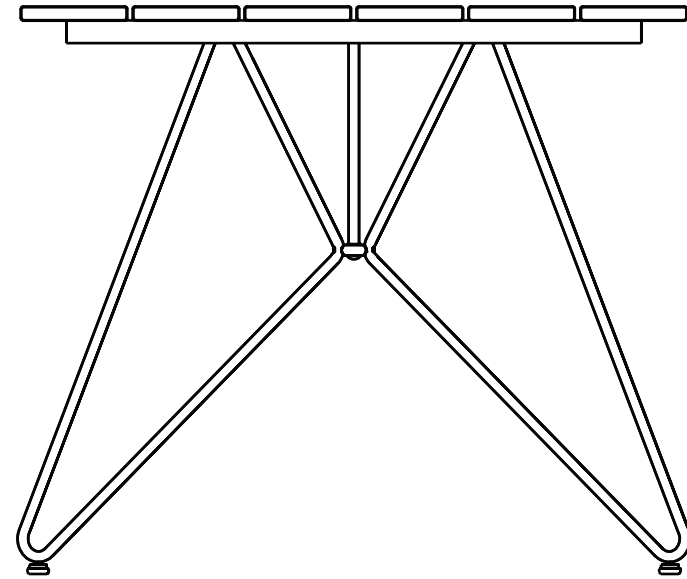
For daily cleaning it is recommended to only use hot water, as soapy water dissolves the oil. Outside the season, store in a dry and ventilated room. Do not cover the bamboo top, as bamboo is a natural material that needs air to avoid that fungi and mold will spread into the material.

Sketch

Bamboo

Design by
Henrik Pedersen for

HOUE



Assembly instruction

Screws and tools are included

! Please keep the tabletop in the box, until the legs have been mounted.

It takes two persons to flip the table around, in order to avoid damages

Samlevejledning 97-2002-V2

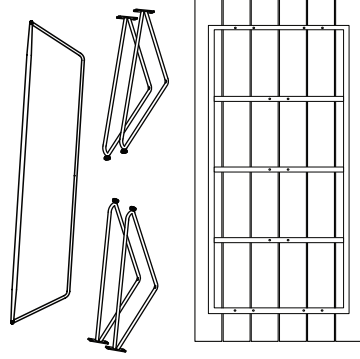
96-0114

x1 94-1100
x1 94-1103
x4 94-0328
x14 94-2001
x14 94-1502

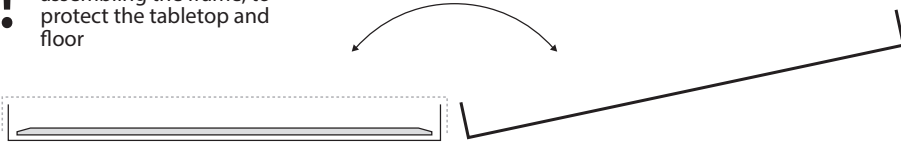
x2 93-2004
x1 93-2005
x4 94-2102
x4 94-2103

96-0118

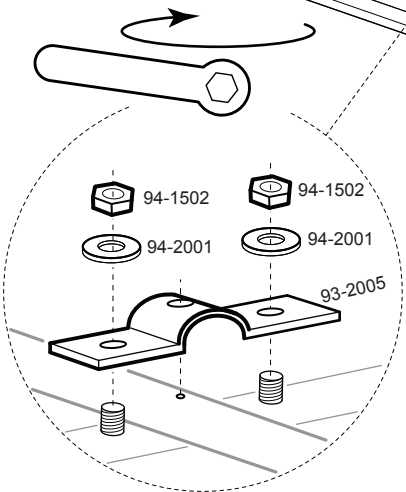
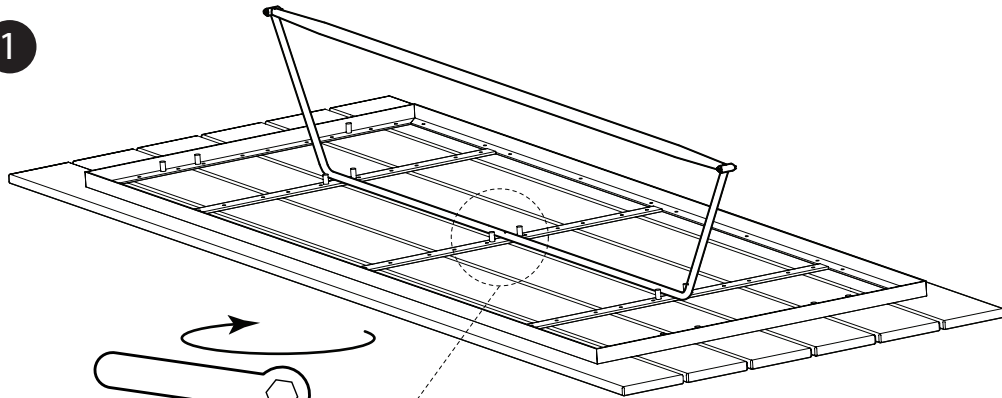
96-0117



! Use the lid as cover when assembling the frame, to protect the tabletop and floor



1



2

