

Designed by Komplot Design

PRODUCT



Item no.: 10011FH01

+ style code:

- 00: Walnut nature top / Walnut nature base

- 01: Oak nature top / Oak nature base

- 02: Black stained ash top / Black stained beech base

DESCRIPTION

The Gubi Dinning table is designed by Komplot Design. The base is laminated wooden legs in walnut nature, oak nature or in black stained beech. The table tops are in walnut nature, oak nature and black stained beech. These table tops are matched with the wooden base in the same type of veneer. The Gubi dinning table comes in 3 different sizes: Round Ø120 cm, Rectangular 90 x 190 cm and Elliptic 120 x 230 cm

COLORS



// Walnut nature



// Oak nature



// Black stained ash

VERSION - GUBI DINNING TABLE

Walnut nature top / Walnut nature base // Gloss level 20-30 / Gloss level 20-30

Oak nature top / Oak nature base // Gloss level 20-30 / Gloss level 20-30

Black stained ash top / Black stained beech base // Gloss level 20-30 / Gloss level 20-30

VERSION - GUBI DINNING TABLE

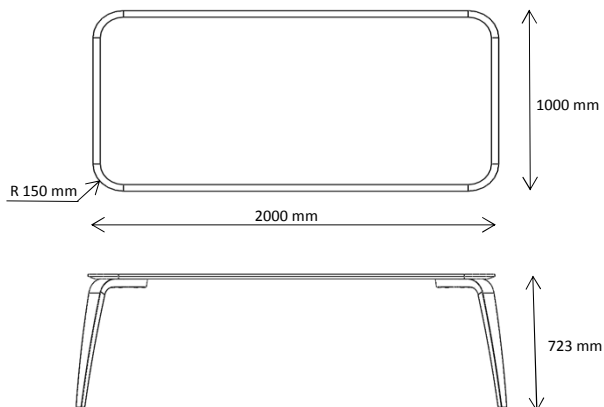
Order item - look for part number in the pricelist.

Series contains the following:

GUBI TABLE round Ø120 cm

GUBI TABLE rectangular 200 x 100 cm

GUBI TABLE elliptic 230 x 120 cm



FACTS

MEASUREMENT - L x W x H mm

Table height: 723 mm

Table top length: 2000 mm

Table top width: 1000 mm

Table top thickness: 23 mm

Base height: 700 mm

Leg thickness: 30 - 45 mm

Leg width: 35 - 80 mm

WEIGHT ITEM

39,4 kg

PACKAGING TYPE

Cardboard, MDF, Low density fiberboard

PACKAGING MEASUREMENT - L x W x H cm

L: 196,8 x W: 96,8 x H: 7,5 cm

WEIGHT PACKAGING - MATERIAL TYPE

Cardboard: 4,2 kg

MDF frame: 2,8 kg

Fiberboard frame: 100 g

WEIGHT PACKAGING - TOTAL

46,7 kg

NUMBER OF PARCELS

1 pcs.

Designed by Komplot Design

ACCESSORIES

-

ENVIRONMENT

-

TESTS

-

CERTIFICATION AND LABELS

-

SAFETY INSTRUCTIONS

-