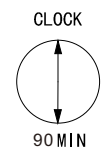
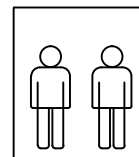
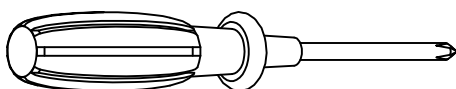


DO NOT TIGHTEN ALL THE SCREWS BEFORE YOU FINISH ASSEMBLY

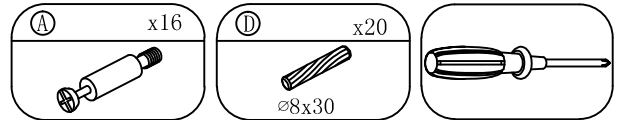
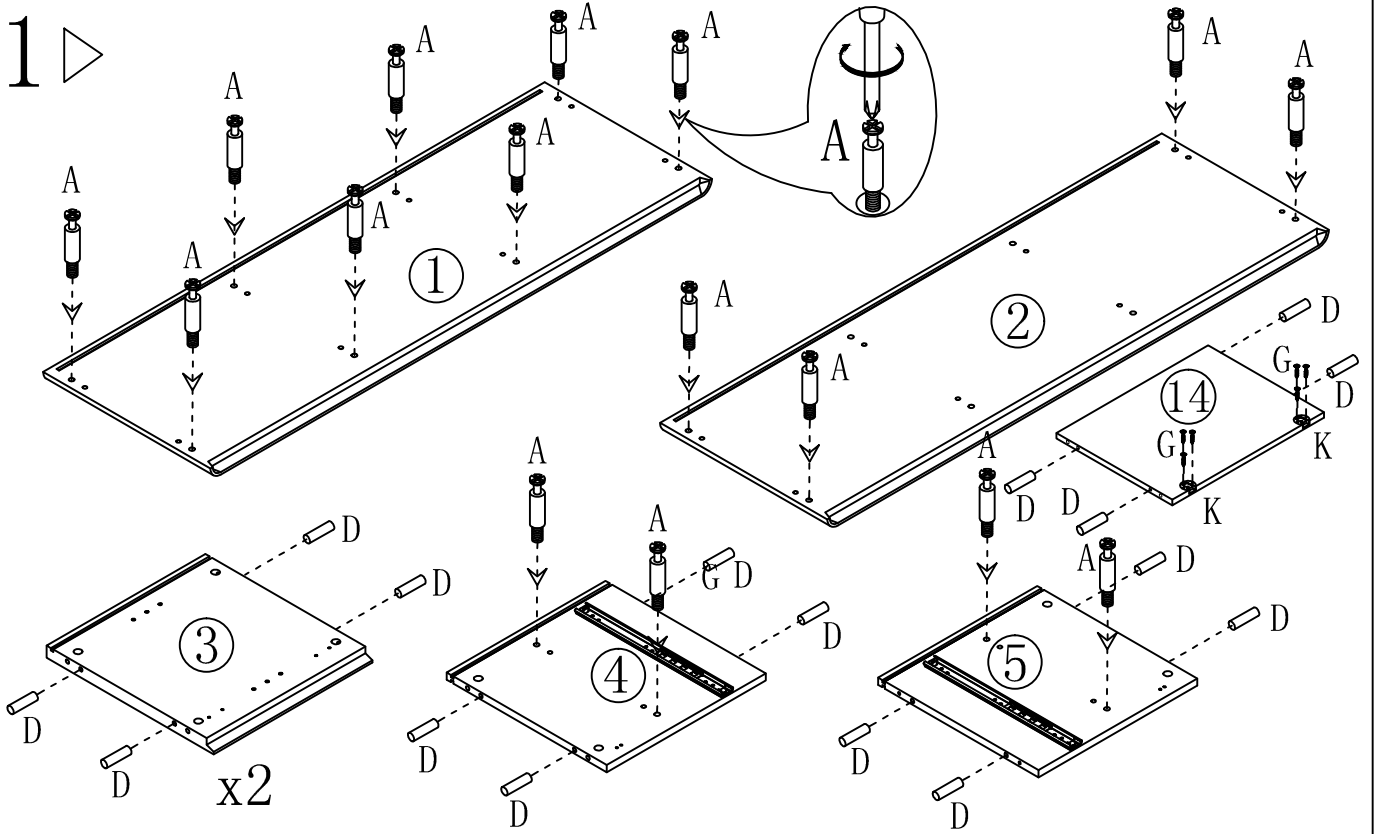


OUTILLAGE. TOOLS. WERKZEUG. HERRAMIENTA. ATTREZZATURA

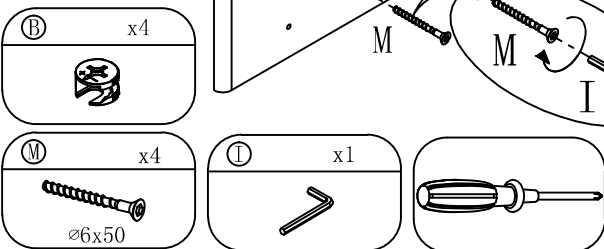
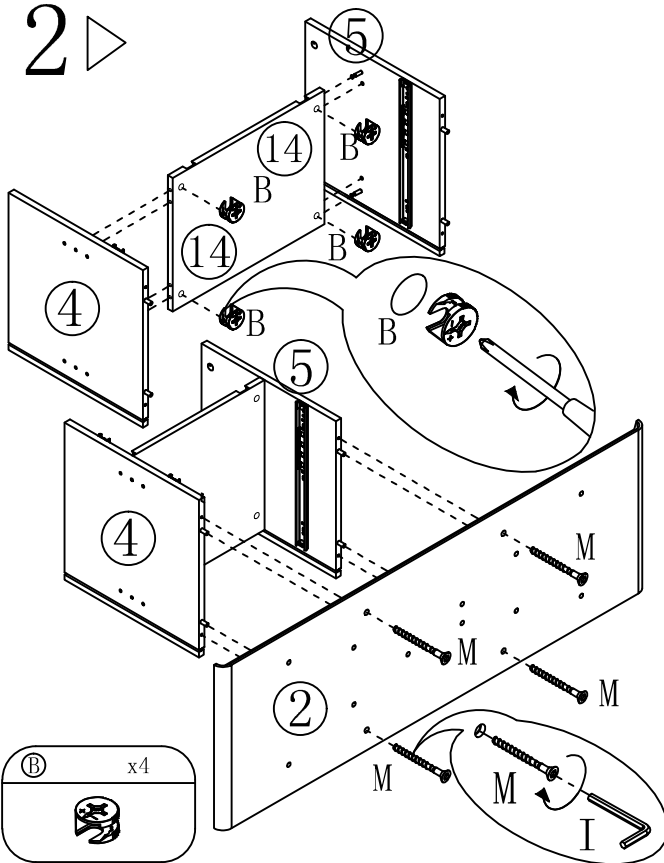
A x20 	B x20 	C x16 	D x20 ø8x30	E x1 	F x4
G x34 ø4x15	H x8 ø6x45	I x1 	J x8 ø6*18mm	K x2 	L x12 ø3x18
M x4 ø6x50	N x2 L=150mm	O x8 ø10	P x6 ø4x30	Q x1 	

QUINCAILLERIE. HARDWARE. BESCHLAGE. FERRETERIA. CHINCAGLIERIA

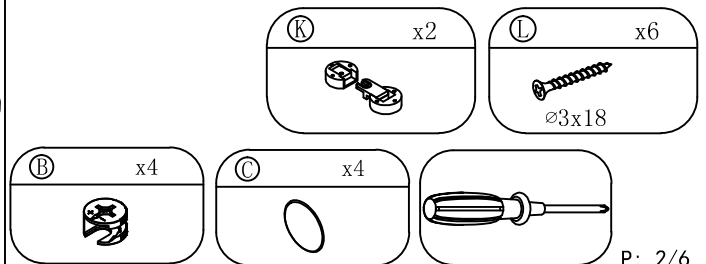
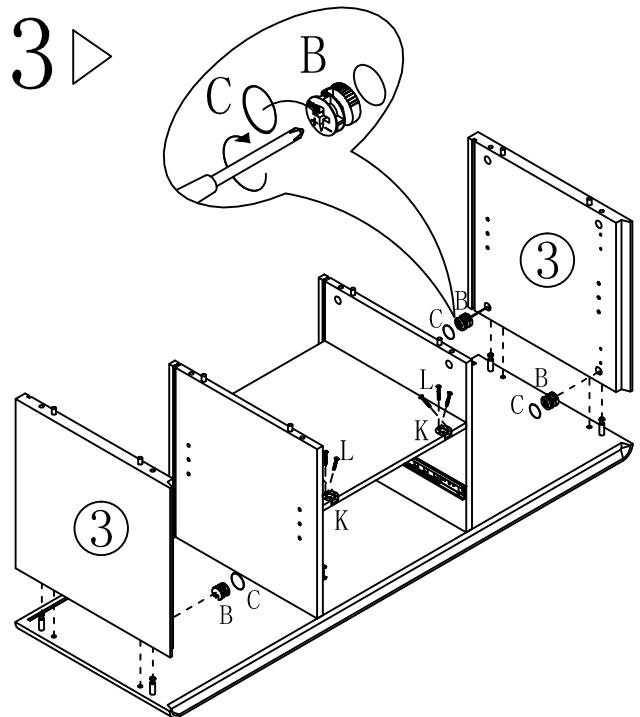
1 ▷



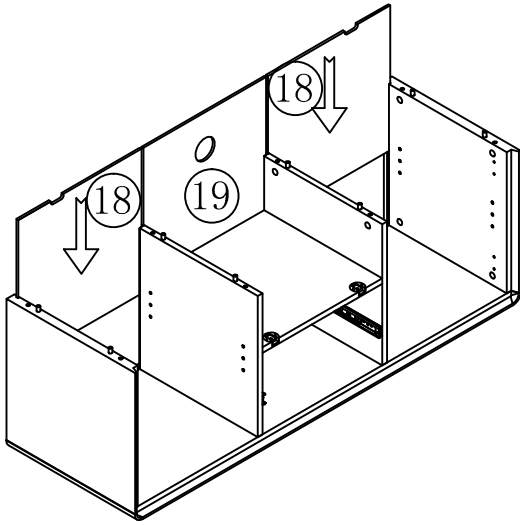
2 ▷



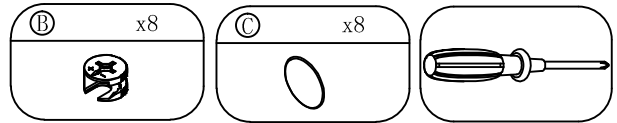
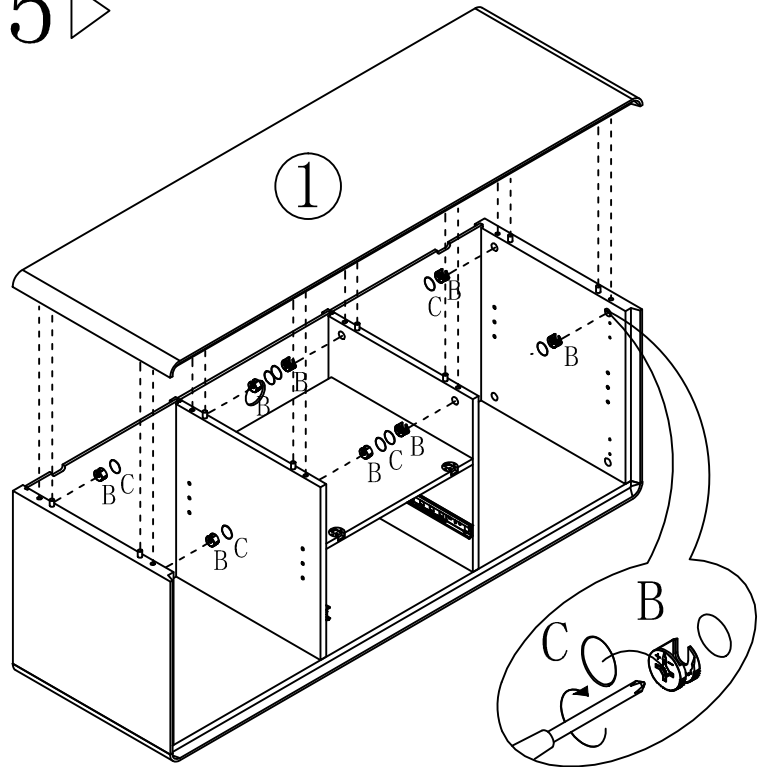
3 ▷



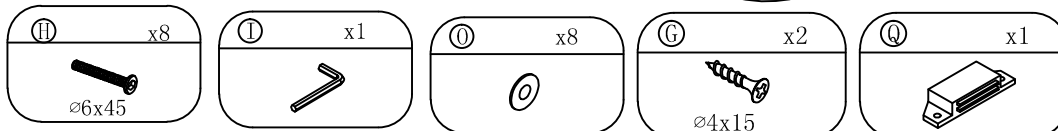
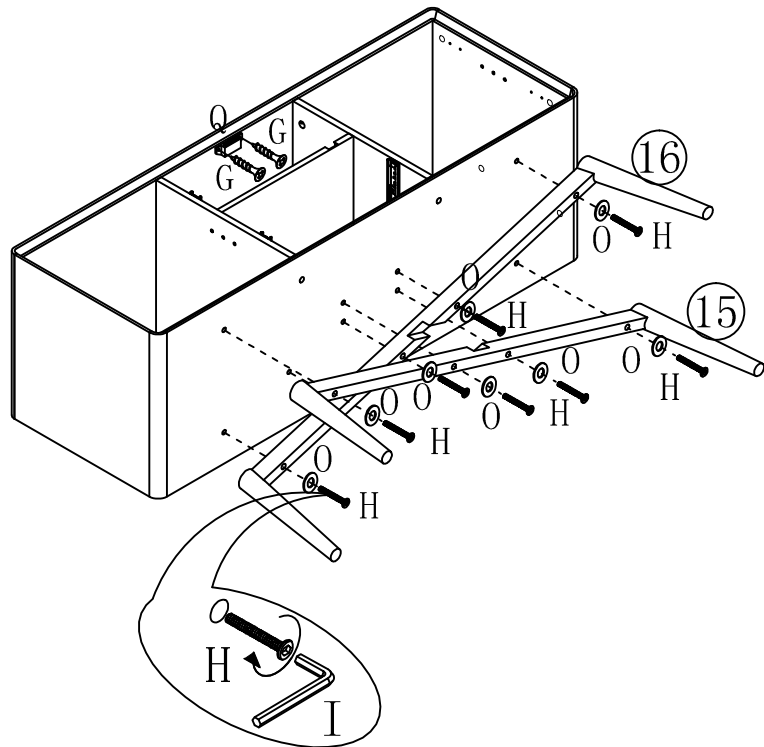
4 ▶



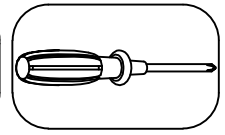
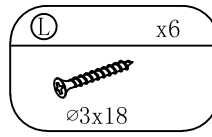
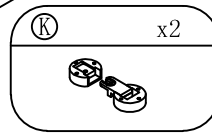
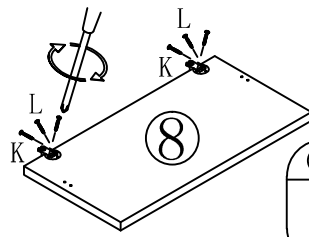
5 ▶



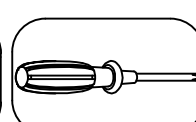
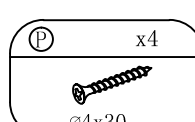
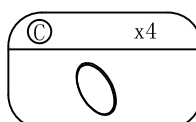
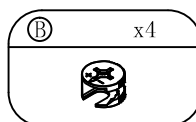
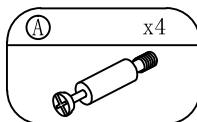
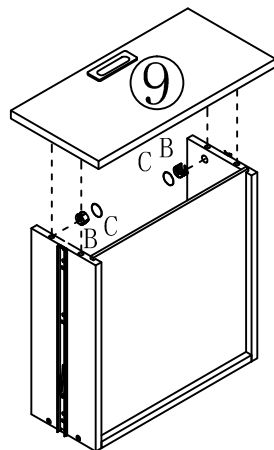
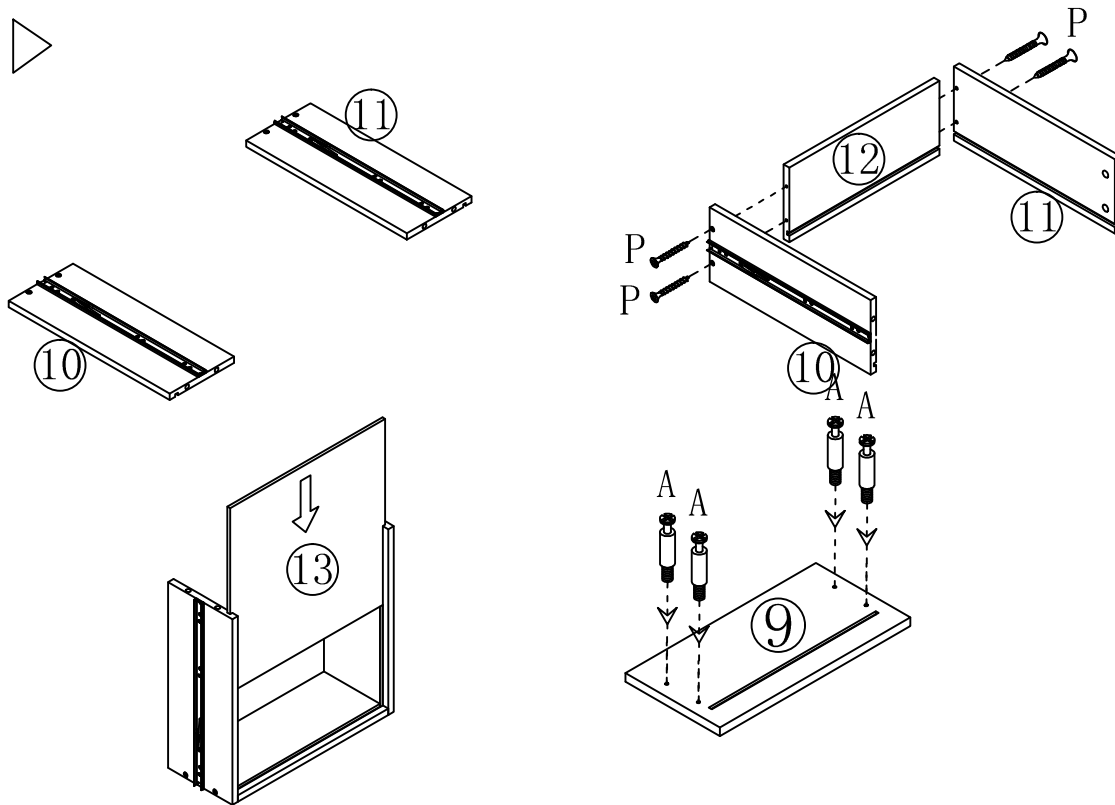
6 ▶



7 ▷

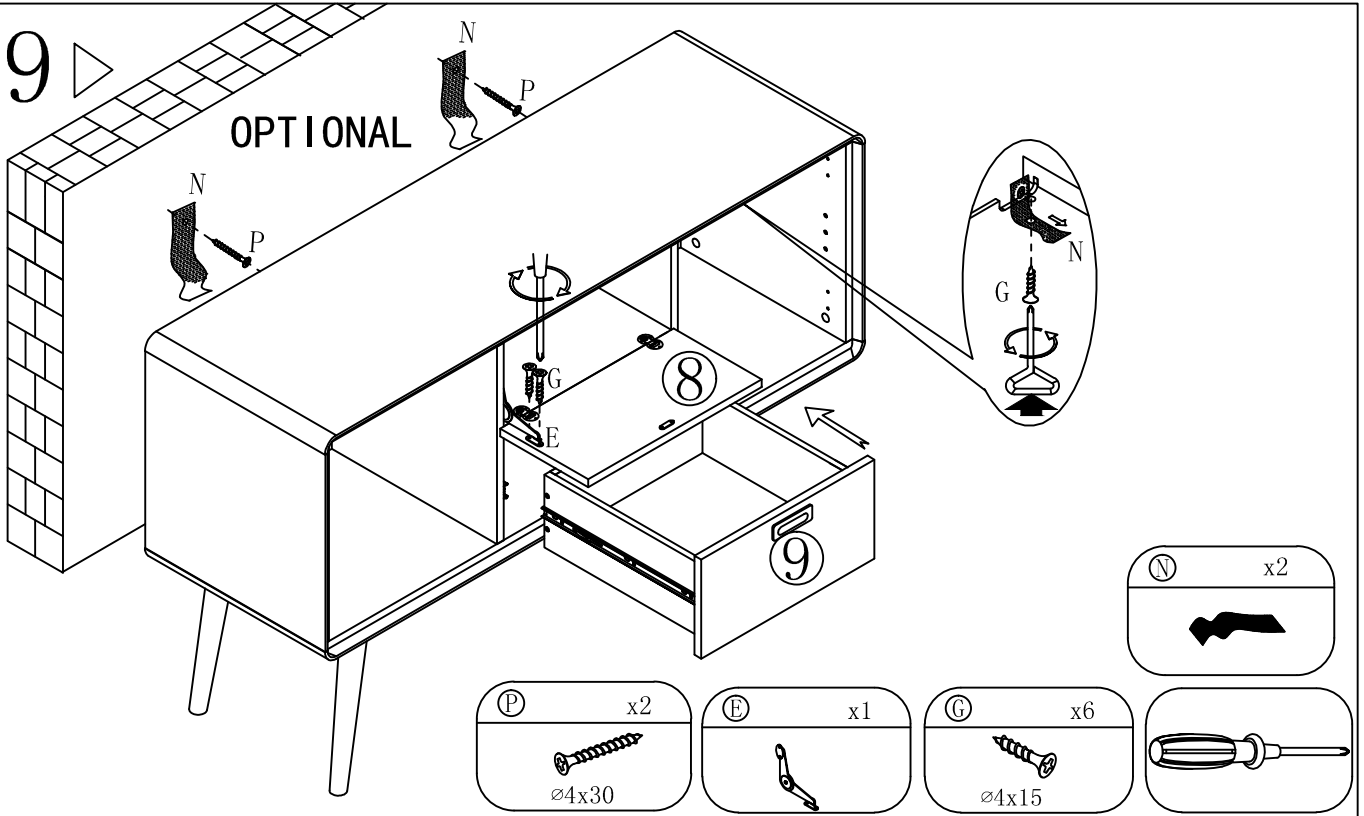


8 ▷

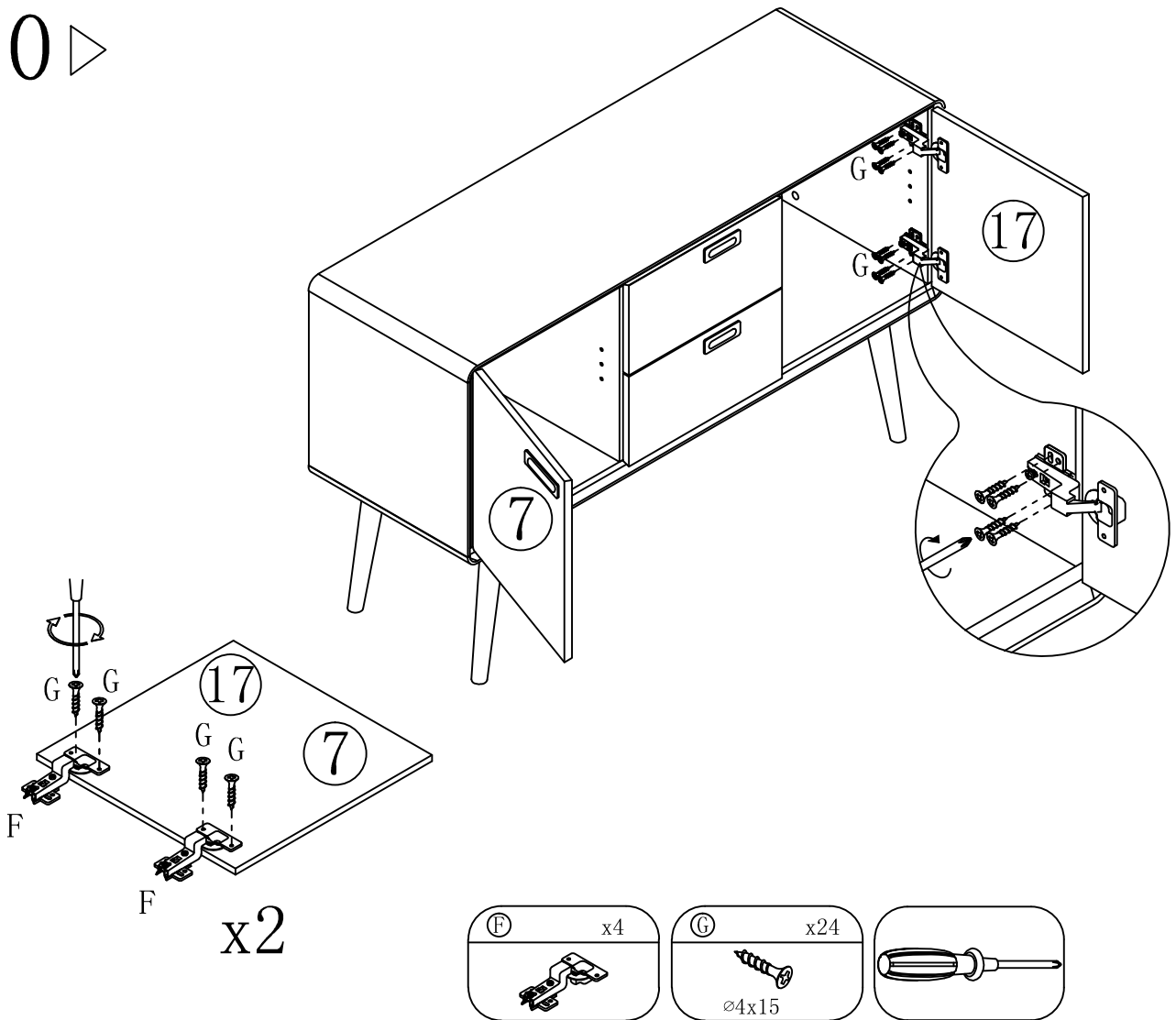


9

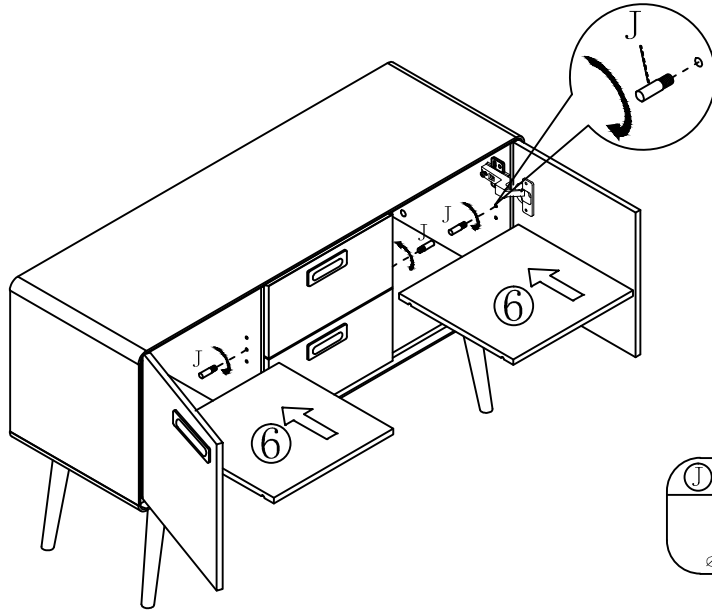
OPTIONAL



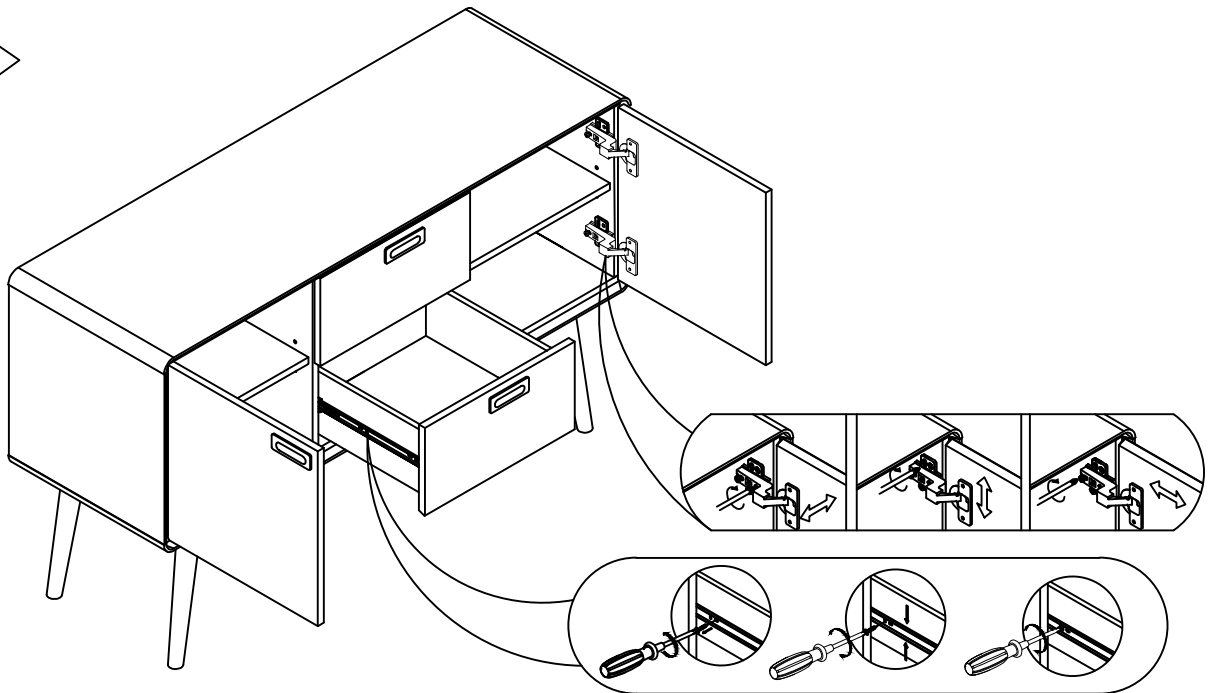
10



11 ▷



12 ▷



13 ▷

