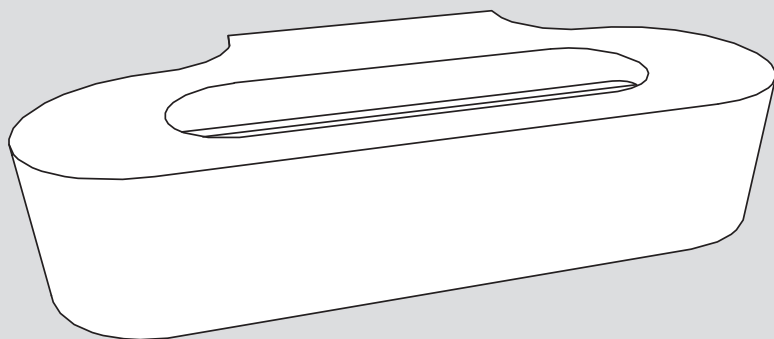


Artemide®

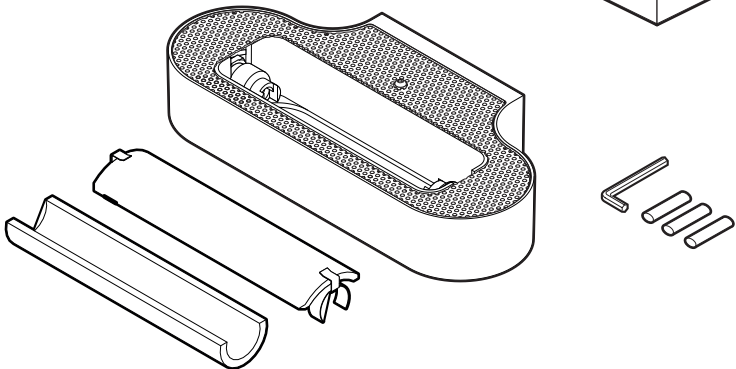
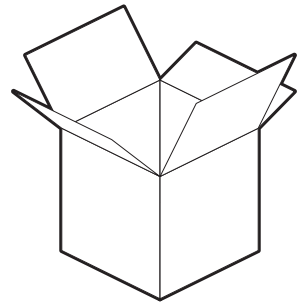
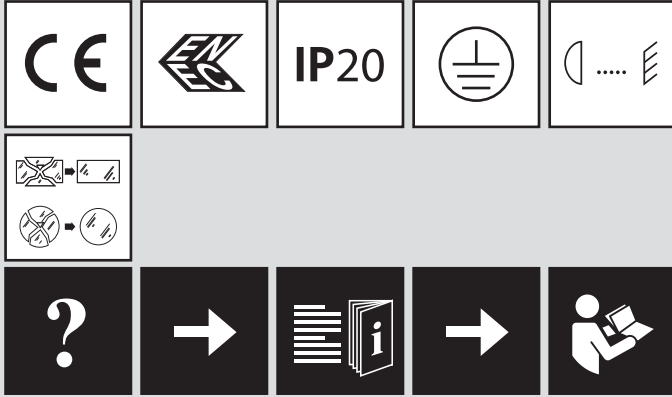
Talo

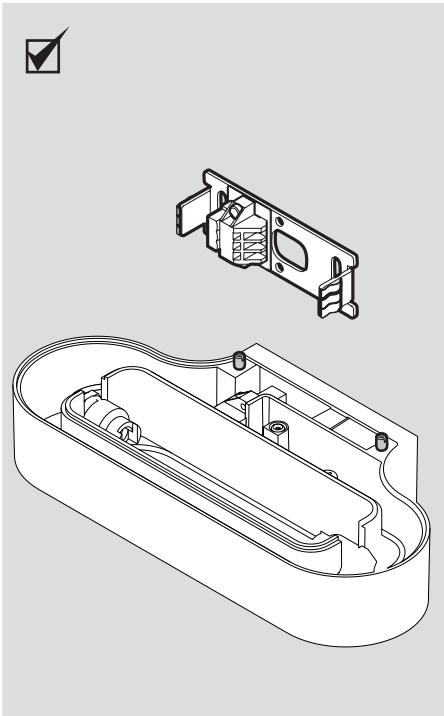
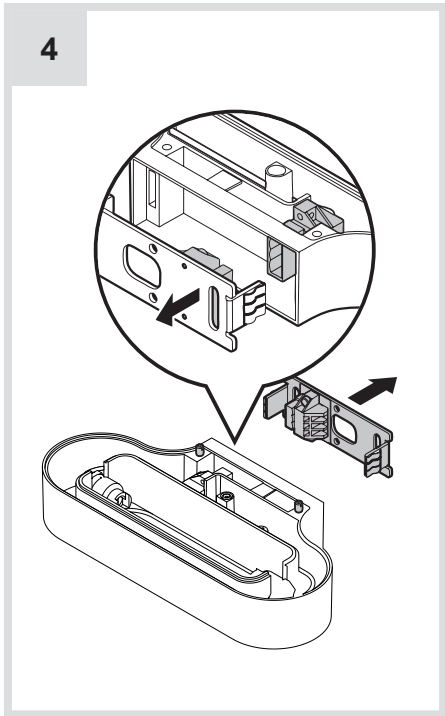
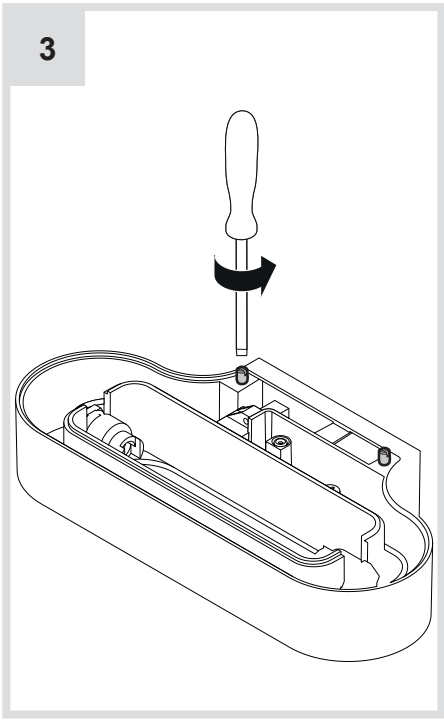
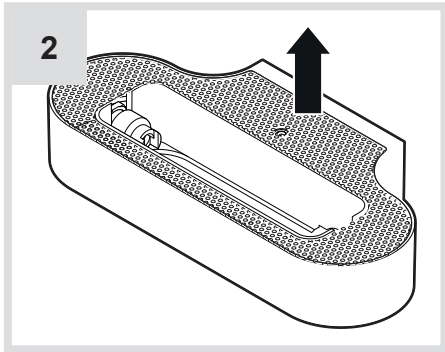
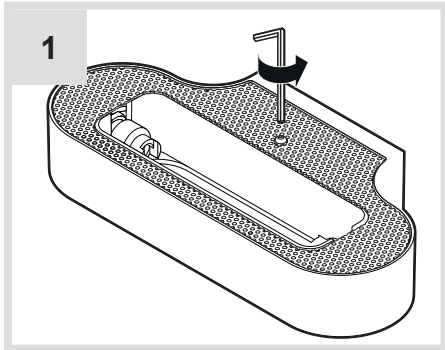
design
Neil Poulton

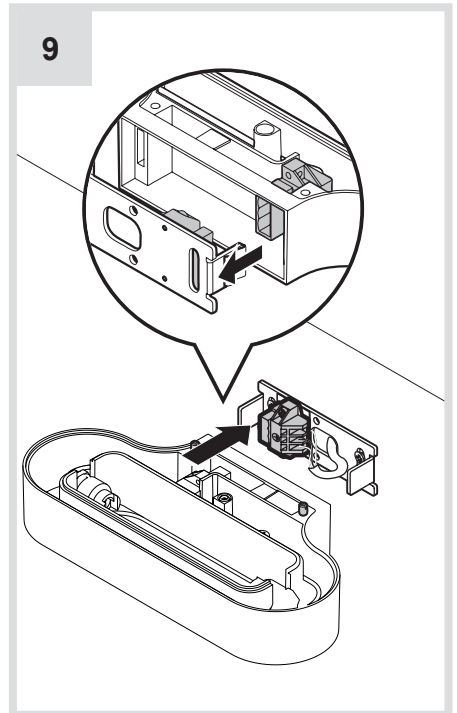
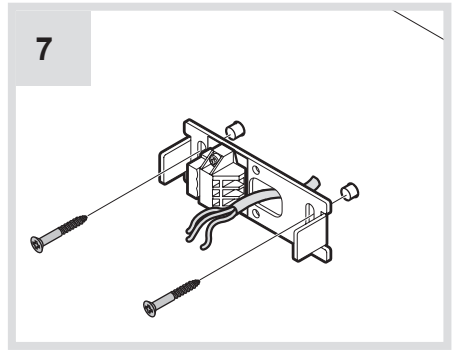
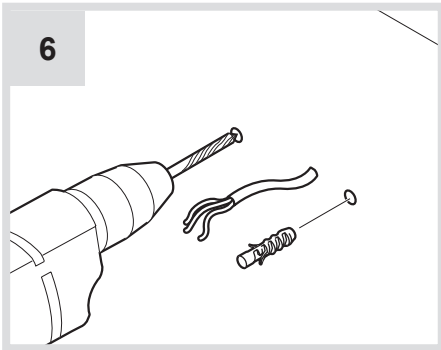
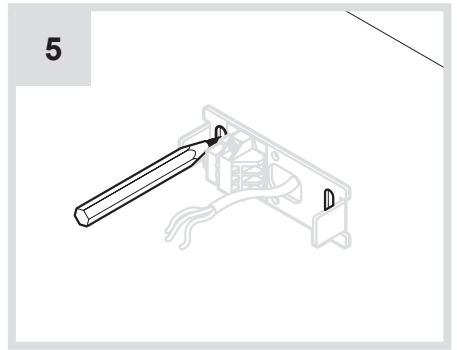
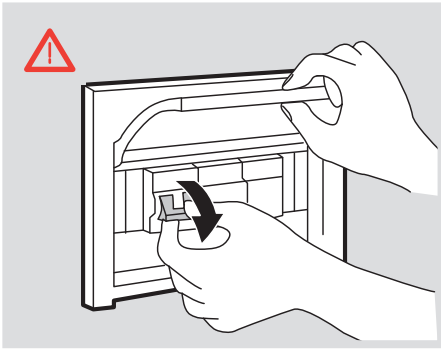




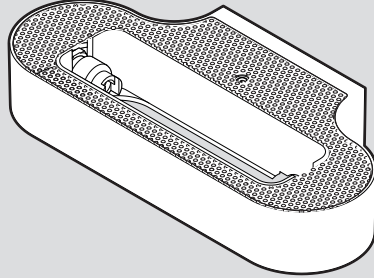
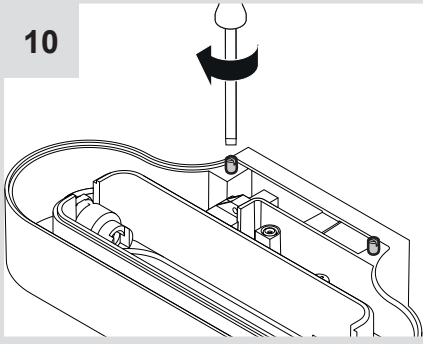
i



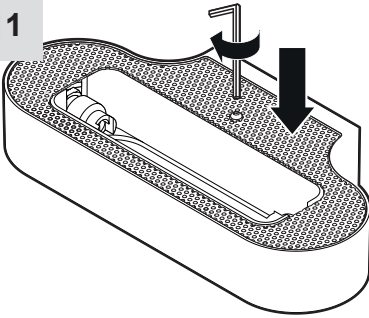




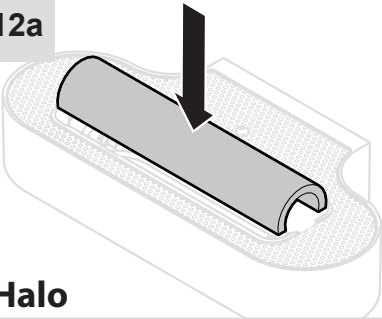
10



11



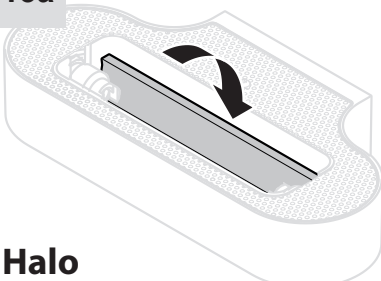
12a



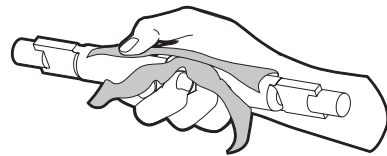
Halo



13a

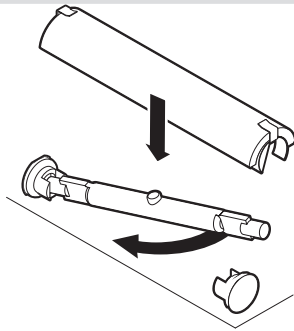


Halo

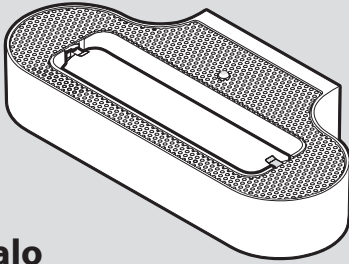


Halo

14a

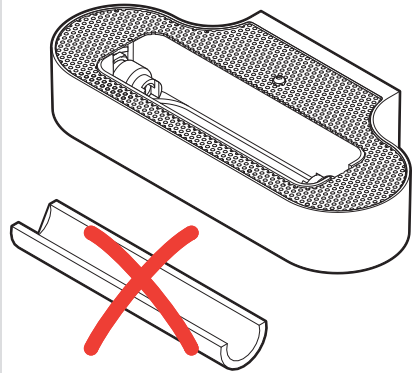


Halo



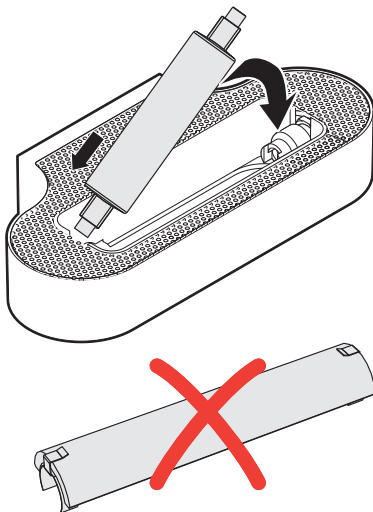
Halo

12b

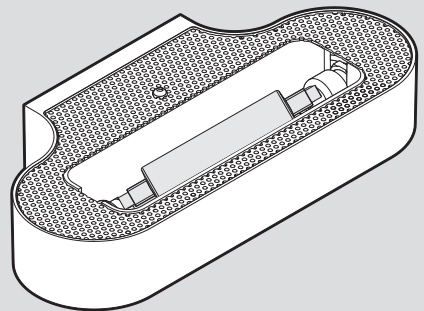


LED

13b

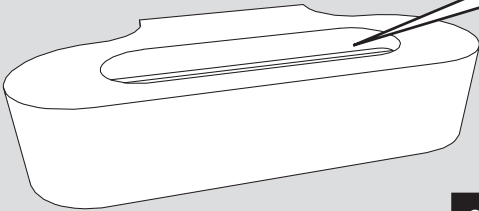
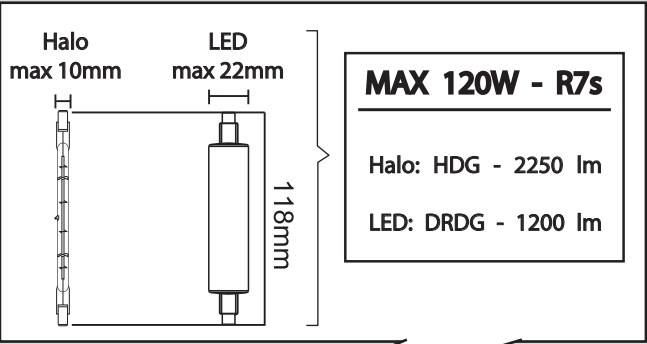


LED

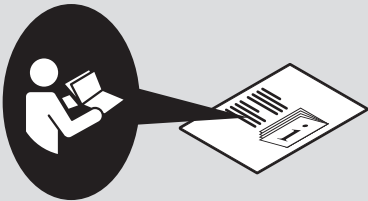


LED

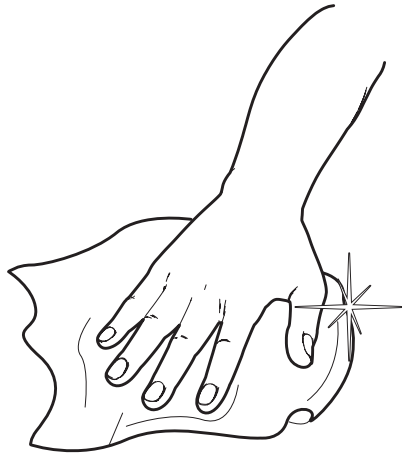
i



i



1



Artemide®



Artemide

via Bergamo, 18
20010 Pregnana M.se (MI)
ITALIA

tel. +39 02 935 181
fax +39 02 935 90 254
fax +39 02 935 90 496

www.artemide.com

VAT IT00846890150

cod. Y513000555A