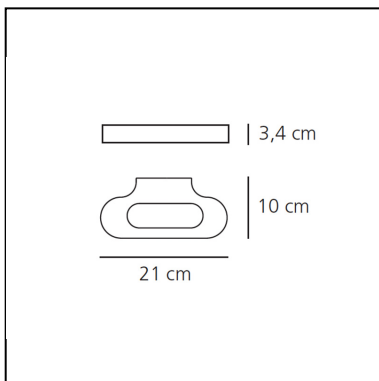


Talo Wall HALO - White

Neil Poulton



IP20     Dimmerable: 



LUMINAIRE

- Watt: **150W**
- Voltage: **220-240V**
- Delivered lumens output: **1469lm**
- Efficiency: **67%**
- Efficacy: **9.79lm/W**

DESCRIPTION

Wall lamp in painted die-cast aluminium. Dimmable.

PRODUCT CODE: 0613010A

FEATURES

- Article Code: **0613010A**
- Colour: **White**
- Installation: **Wall**
- Material: **Aluminium, glass**
- Series: **Design Collection**
- Environment: **Indoor**
- Area contract: **Hospitality**
- Emission: **Direct/indirect**
- design by: **Neil Poulton**

DIMENSIONS

- Length: **cm 21**
- Width: **cm 10**
- Height: **cm 3.4**
- Glow Wire Test: **850°**

NOT INCLUDED SOURCES

- Category: **HALO**
- Number: **1**
- Lbs: **Qt-de12**
- Watt: **120W**
- Socket: **R7s**
- Color Rendering: **1a**
- Color temperature (K): **2950K**
- Duration (h): **2000h**

ALTERNATIVE SOURCES

- Category: **LED RETROFIT**
- Number: **1**
- Watt: **11w**
- Delivered lumens output: **1110lm**
- Socket: **R7s**