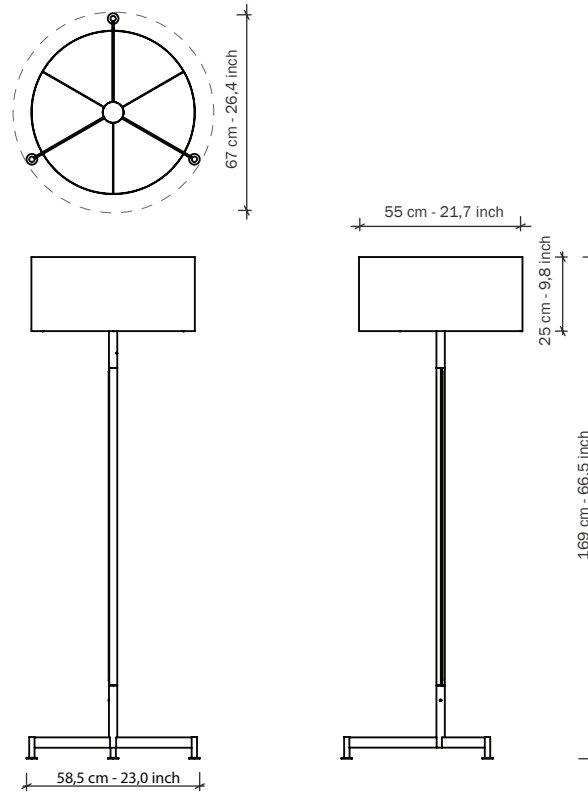


STOKLAMP

FLORIS HOVERS



SPECIFICATIONS

Base and head:

Steel, powder coated in black or white. Felt is attached to the bottom of the base.

Stick:

Ash wood finished with matt clearcoat, with groove for cable.

Lampshade:

Polyester, black or white.

Cable length:

180 cm - 70,9 inch

Light source:

Fitting E27

Max. 60 Watt

220 V

Energy class:

Lamp is suitable for bulbs of energy class A++, A+, A, B, C, D and E.

Lamp is sold with a bulb of energy class E.

Weight:

3,7 kg - 8,2 lb.

3D-FILES OR HR-IMAGES

Check: www.functionals.eu/downloads