

Designed by Greta Grossman

PRODUCT



Item no.: 005-0530
 + style code:
 - 1: Jet Black
 - 2: Anthracite Grey
 - 3: Vintage Red
 - 4: Blue Grey
 - 5: Matt White

DESCRIPTION

The iconic Gräshoppa task lamp was first produced in 1948. The tubular brass stand is mounted on a brass base whilst the elongated conical steel shade is mounted with a moveable joint in solid brass, consequently the light can be directional, yet the glare is minimal. The shade is powder-coated and available in 5 colours. Switch integrated in the base.

VERSION - GRÄSHOPPA TASK LAMP

RAL codes are indicative.

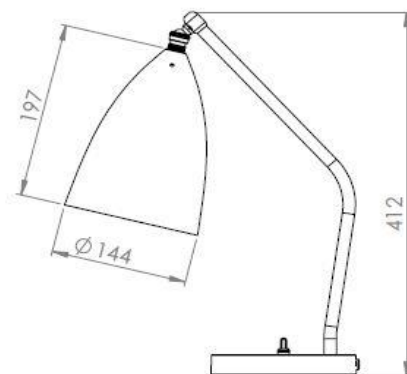
- Fabric wire - Golden:
- Jet Black / White inside // RAL 9005 / RAL 9003 // Gloss level 20 / Gloss level 20
- Anthracite grey / White inside // RAL 7016 / RAL 9003 // Gloss level 20 / Gloss level 20
- Blue grey / White inside // RAL 160 60 05 / RAL 9003 // Gloss level 20 / Gloss level 20
- Matt white / White inside // RAL 9003 / RAL 9003 // Gloss level 20 / Gloss level 20
- Vintage red / White inside // RAL 3012 / RAL 9003 // Gloss level 20 / Gloss level 20

VERSION

Order item - look for part number in the pricelist.

Series contains the following:

- GM1 GRÄSHOPPA
- GM2 COBRA TABLE
- GM3 COBRA FLOOR
- GRÄSHOPPA TASK TABLE LAMP
- GRÄSHOPPA PENDANT
- COBRA WALL LAMP



COLORS



// Jet Black



// Anthracite grey



// Vintage Red



// Blue grey



// Matt white

FACTS

MATERIAL

Shade: Powder-coated steel
 Stand: Brass tube: dia. 0,5 inches
 Base: Cover in brass, inside counterweight in steel

MEASUREMENT - L x W x H inches

Lamp height: 16,2 inches
 Lamp base: dia. 5,9 inches
 Shade height: 7,8 inches
 Shade diameter: dia. 5,7 inches
 Cable length, exposed: Approx. 98,4 inches

WEIGHT ITEM - LAMP INCL. WIRE

4,9 lb

PACKAGING TYPE

Cardboard box

PACKAGING MEASUREMENT - L x W x H inches

L: 18,1 x W: 16,5 x H: 9,8 inches

WEIGHT PACKAGING - MATERIAL TYPE (recyclable)

- Delivery note: 0,35 oz
- LD-EPE foam: 7,2 oz
- EPE bag: 0,17 oz
- PE polybag: 0,21 oz
- Cardboard inside: 9,3 oz
- Cardboard outside, 5ply Corrugated: 2,4 lb

WEIGHT INCL. PACKAGING - TOTAL

8,4 lb

NUMBER OF PARCELS

1 pcs.

ACCESSORIES

-

ENVIRONMENT

-

TESTS

-

CERTIFICATION AND LABELS

CUL-APPROVED

SAFETY INSTRUCTIONS

If the cord or plug is damaged, unplug it from the socket with dry hands. Do not use the lamp until it is repaired by a qualified Electrician.

Instructions document: No. 53-20-003-01

Bulb requirements:

- Socket: E12 base
- Recommended light source: All fluorescent light bulbs
- Recommended wattage: 9 W
- Max wattage: 13 W
- Recommended light source: Halogen light bulb
- Recommended wattage: 28 W
- Max wattage: 30 W

*Lighthub not included

- US plug: Type A, 2 PIN, 15 amp, (NEMA 1-15)
- US voltage: 120 V
- Frequency: 60 Hz
- Supply voltage: AC power ~
- Normally Closed: IP20



Class II / Double insulated



Mark for Canada and the U.S.



Luminaires accepted for mounting on a flammable base

BULB REPLACEMENT

- Disconnect the power before replacing bulb.

TROUBLESHOOTING

- If lamp does not light, turn off the power. Check the bulb for a broken filament. Replace bulb if necessary, then turn it on.
- If the lamp still does not light, please contact customer service at the local dealer.
- If the external flexible cable or cord of this lamp is damaged, it must be replaced by a qualified electrician in order to avoid a hazard.

MAINTENANCE

- Plug lamp power cord prior maintenance.
- To clean, use a soft cloth only.
- Do not use any chemical or abrasive cleaners.

GUBI

Gräshoppa Task Lamp

005-053xx

GUBI A/S
 Hølandsvej 7-9 / Pilehus 53 T: +45 3332 6366
 2150 Nordhavn, Copenhagen CVR: 17342054
 Denmark WWW.GUBI.DK

SAFETY INSTRUCTIONS RELATING TO RISK OF FIRE, ELECTRIC SHOCK, OR PERSONAL INJURY

WARNING: Lighted bulb gets HOT. Do not touch while on.

CAUTION: Keep away from children, bedding, chairs, and any other flammable materials.

Do not use directly on paper table.

CAUTION: Always use caution when cleaning, repairing bulb, cleaning or other maintenance.

Do not use the lamp if it is damaged.

CAUTION TO REDUCE THE RISK OF FIRE: USE MAX. 40 WATT INCANDESCENT, ETC. BULB IN BULB/120V BOMB AS ONLY.

Do not exceed maximum wattage.

CAUTION: AIRCRAFT LAMP MUST BE INSTALLED BY A QUALIFIED ELECTRICIAN.

REMARK: Do not leave off.

Step 1

1. Unpack lamp.
2. Place on stable ground.

Step 2

3. Plug lamp to mains voltage.
4. Push switch to turn lamp on and off.

80-20-053-01 Mounting and Gräshoppa Task Lamp (U)

GUBI

GRÄSHOPPA TASK LAMP // Designed by Greta Grossman

DK

Tillykke med din Gräshoppa lampe designet af Greta Grossman i 1947. Vi håber du vil blive glad for den.

Efter et stykke tid vil du muligvis opleve, at ledet på skærmen bliver løst og har brug for efterspænding. Dette gøres ved at dreje mønsting uretvis på billedet med uret.

Obs: Undlad at rotere skærmen gentagne gange om sin egen akse, da det kan forårsage defekt.

ENG

Congratulations with your Gräshoppa lamp designed by Greta Grossman in 1947. We hope you will enjoy it.

After some time you may find that the joint on the shade will get loose and needs retightening. This can be done by turning the brass nut clockwise.

Caution: Do not rotate the shade repeatedly on its axis, as this might result in malfunctioning.

DE

Gratulation zu Ihrer Gräshoppa Leuchte Entworfen 1947 von Greta Grossmann. Wir wünschen Ihnen viel Freude damit.

Bitte beachten Sie, dass sich die Verbindung des Leuchten Schirmes im Laufe der Zeit lockern kann und nachgezogen werden muss. Drehen Sie dazu die Mösting-Mutter im Uhrzeigersinn fest.

Achtung: Bitte drehen Sie den Schirm nicht mehrmals um seine Achse, dies verursacht einen Defekt.